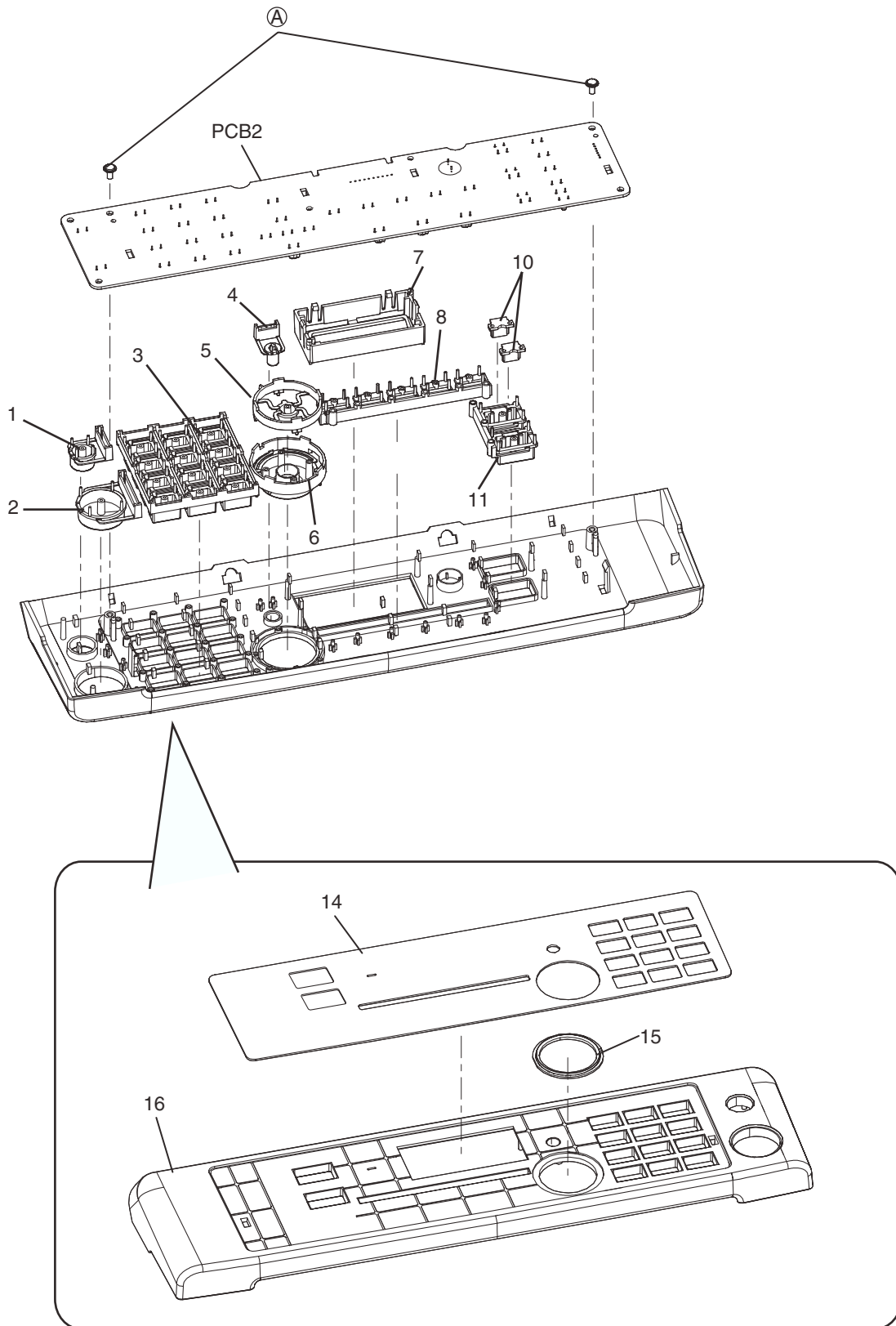


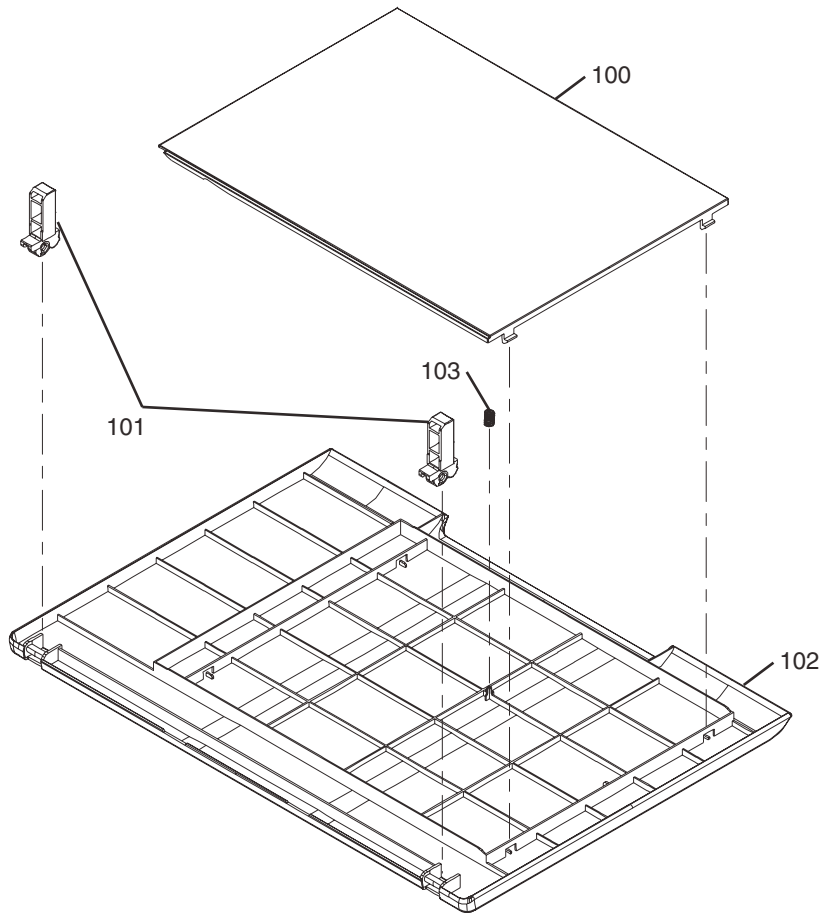
17 Exploded View and Replacement Parts List

17.1. Cabinet, Mechanical and Electrical Parts Location

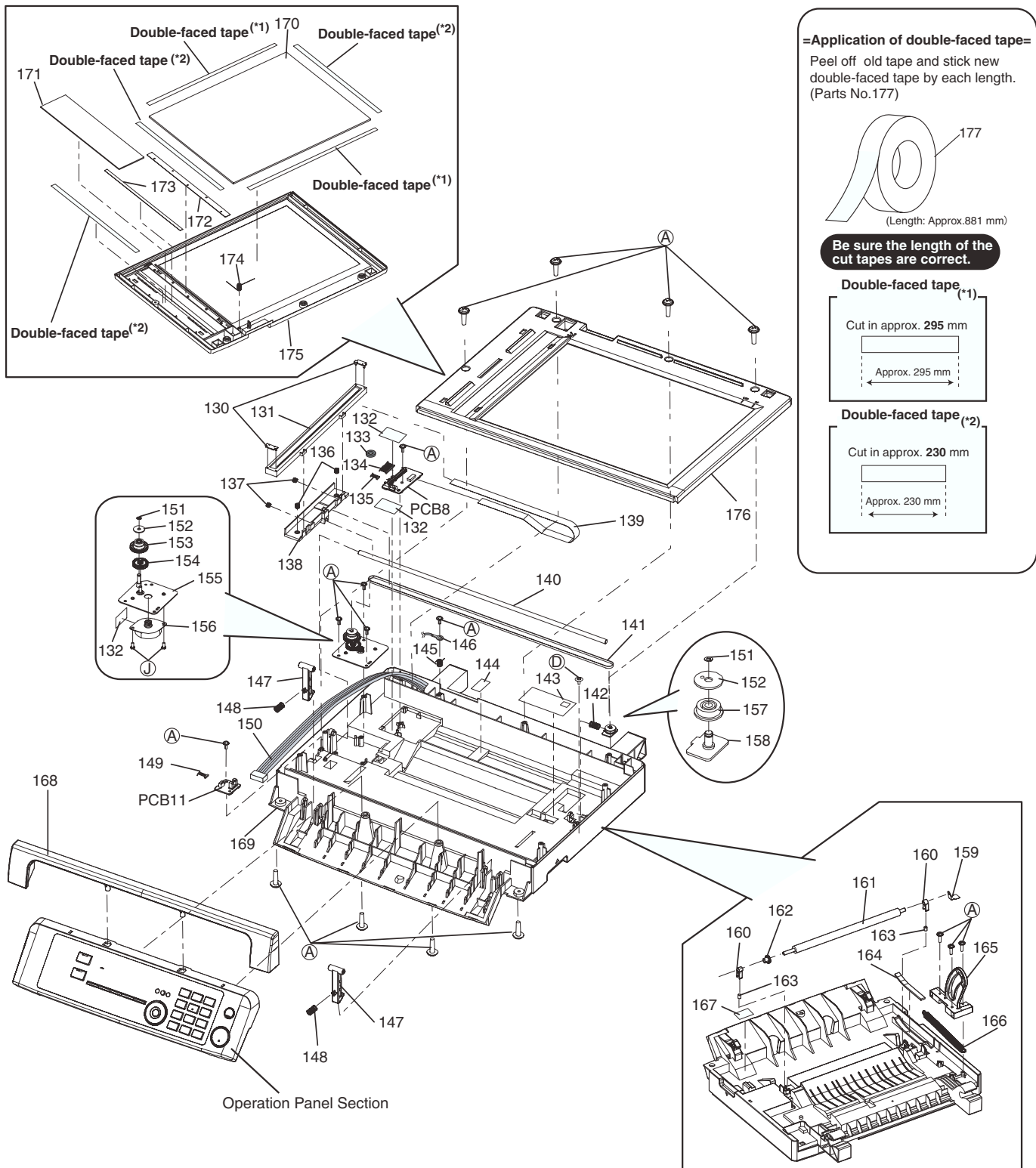
17.1.1. Operation Panel Section



17.1.2. Flatbed Section

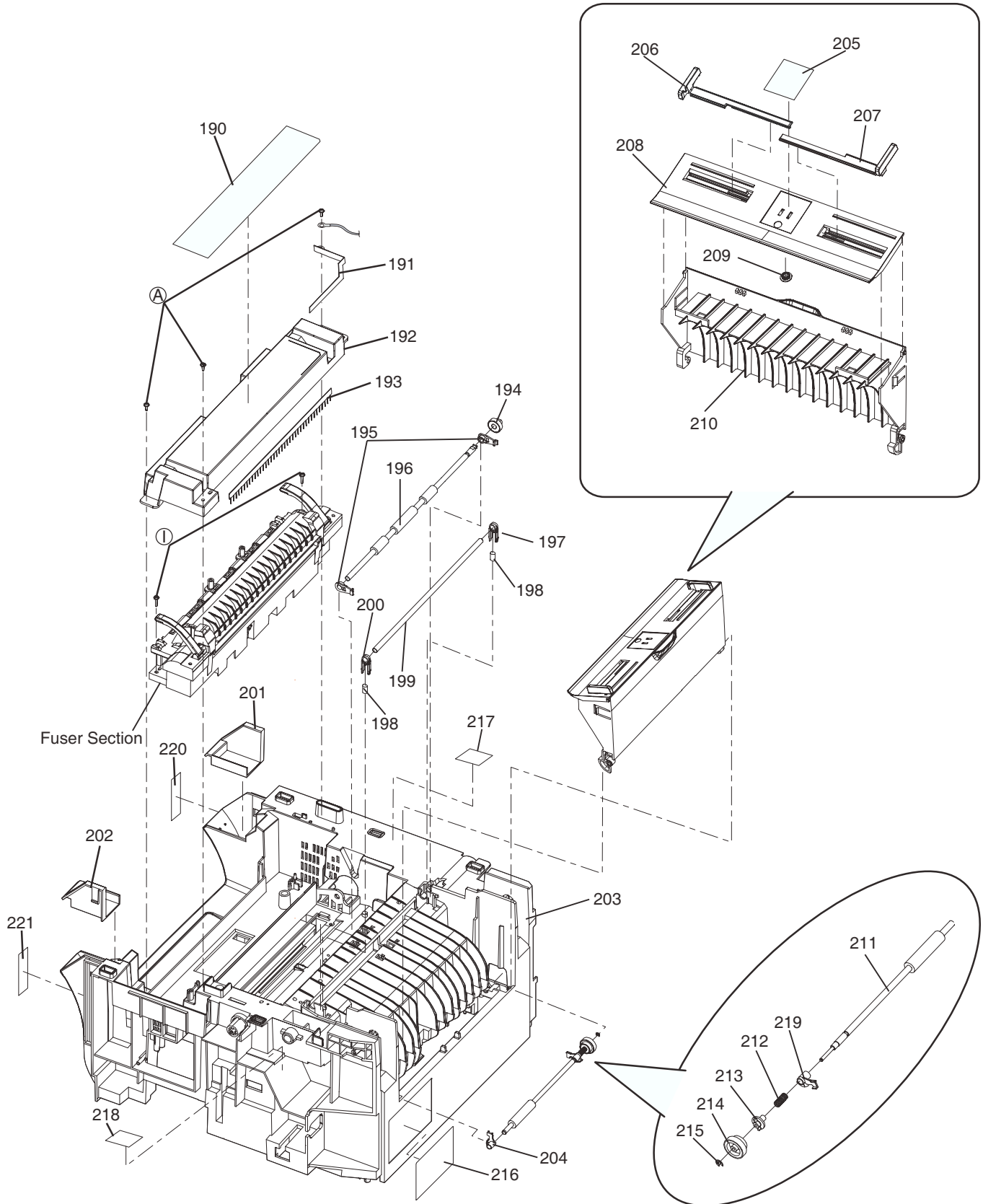


17.1.3. Top Cover Section

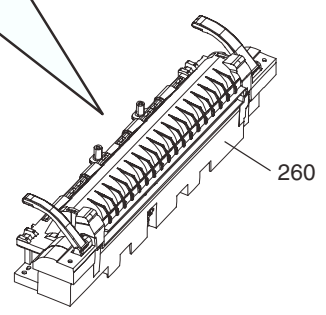
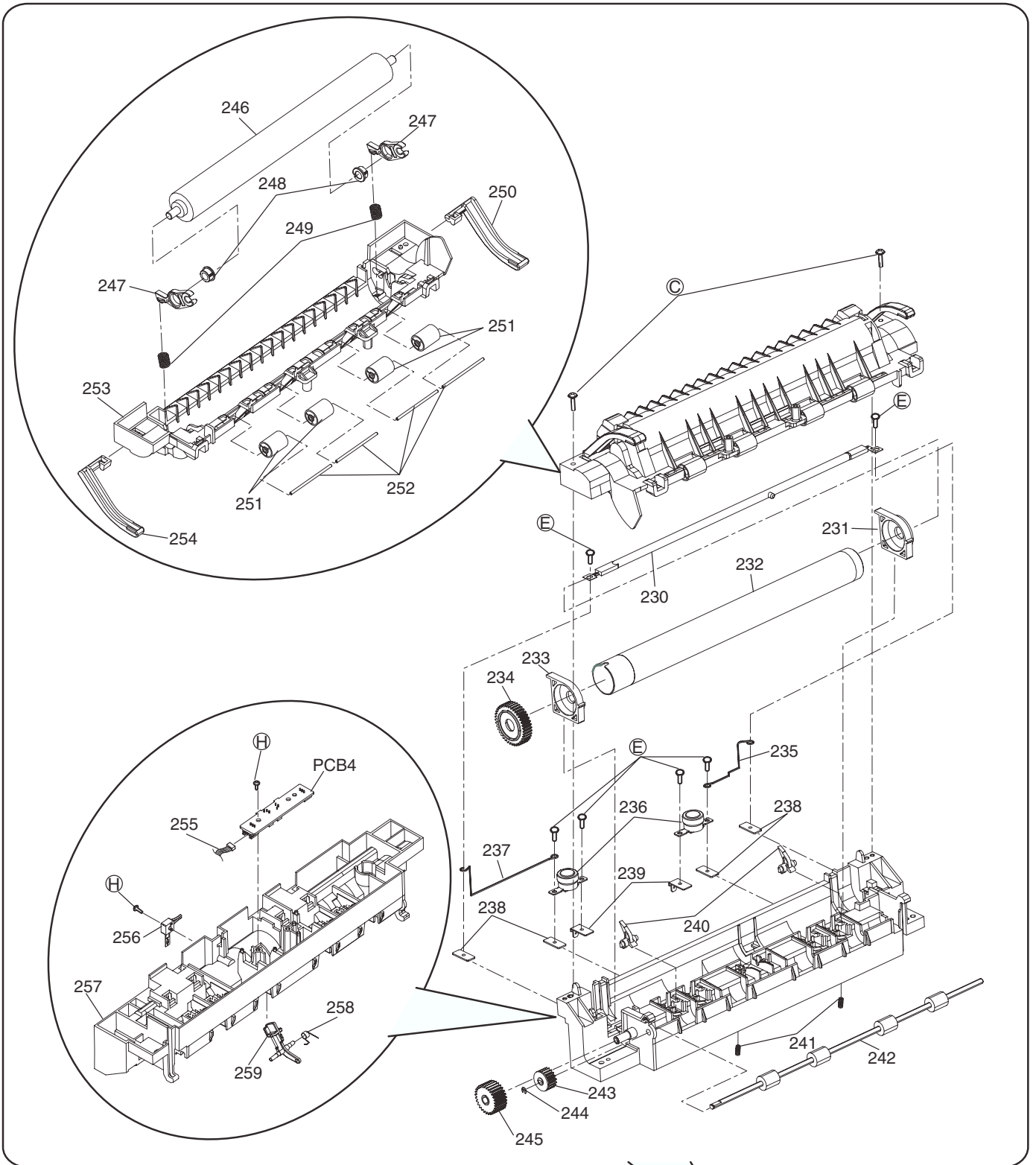


*176 is the Scanner Glass Ass'y.

17.1.4. Main Cabinet Section

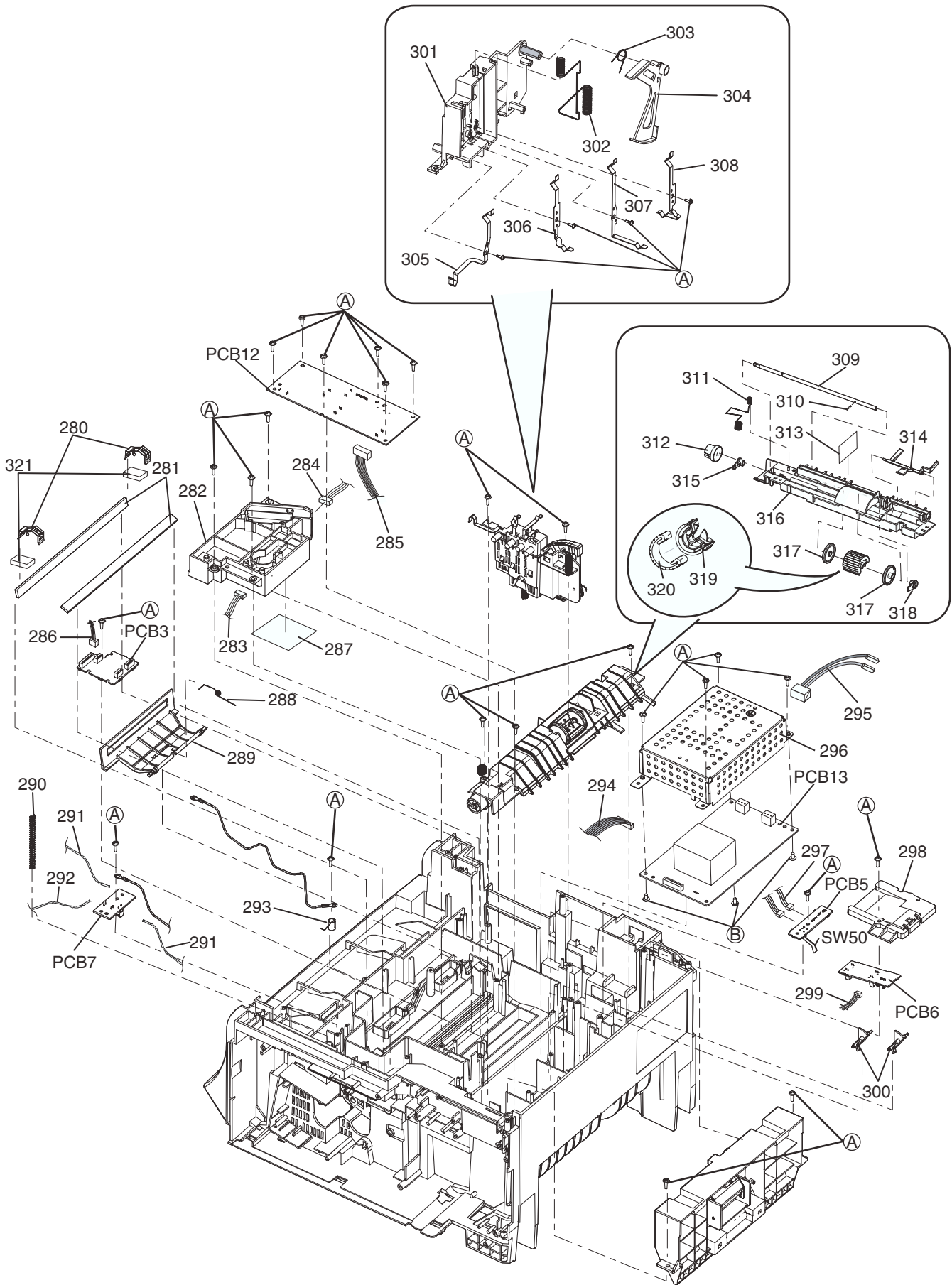


17.1.5. Fuser Section

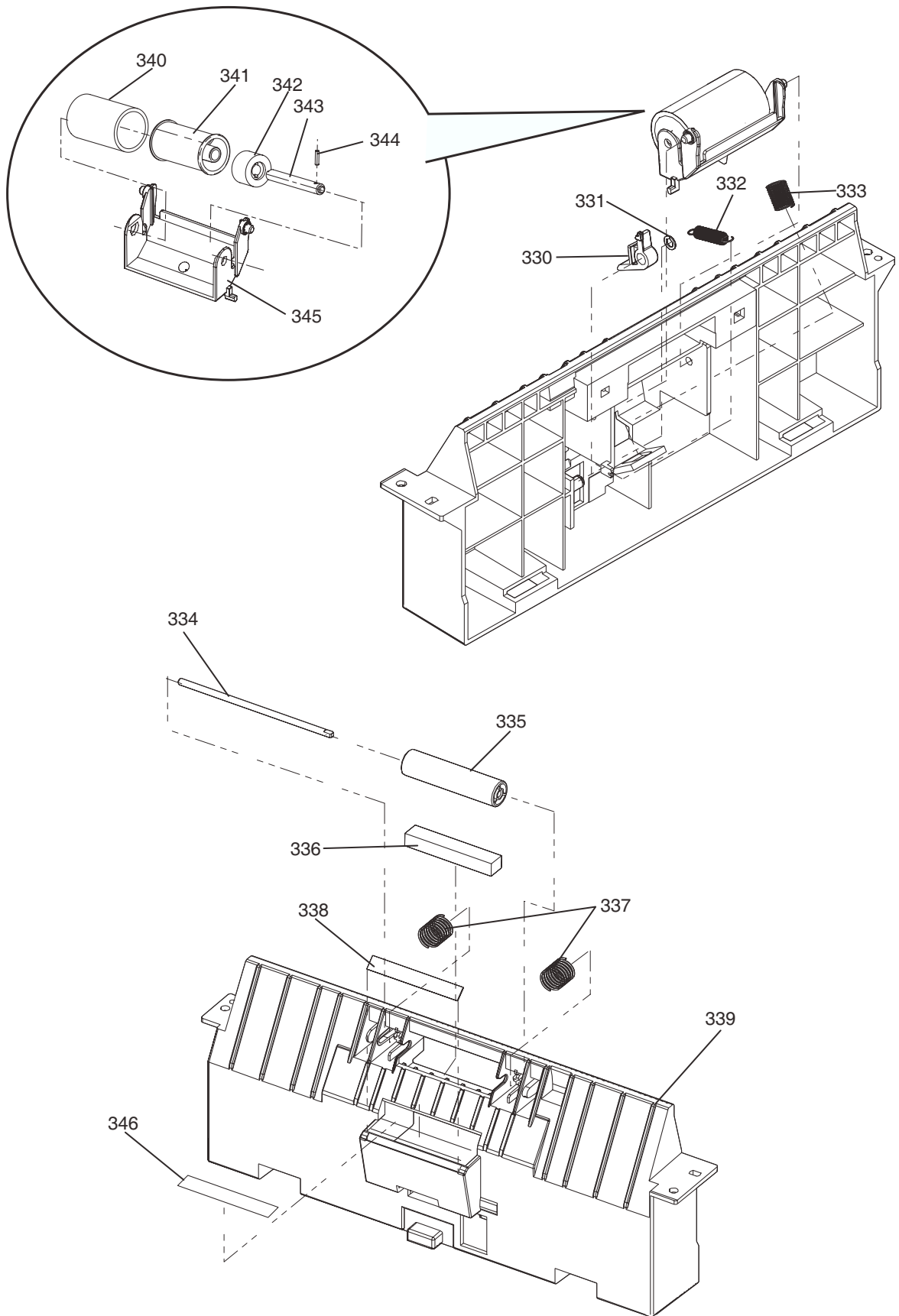


*260 is the completed Fuser Unit.

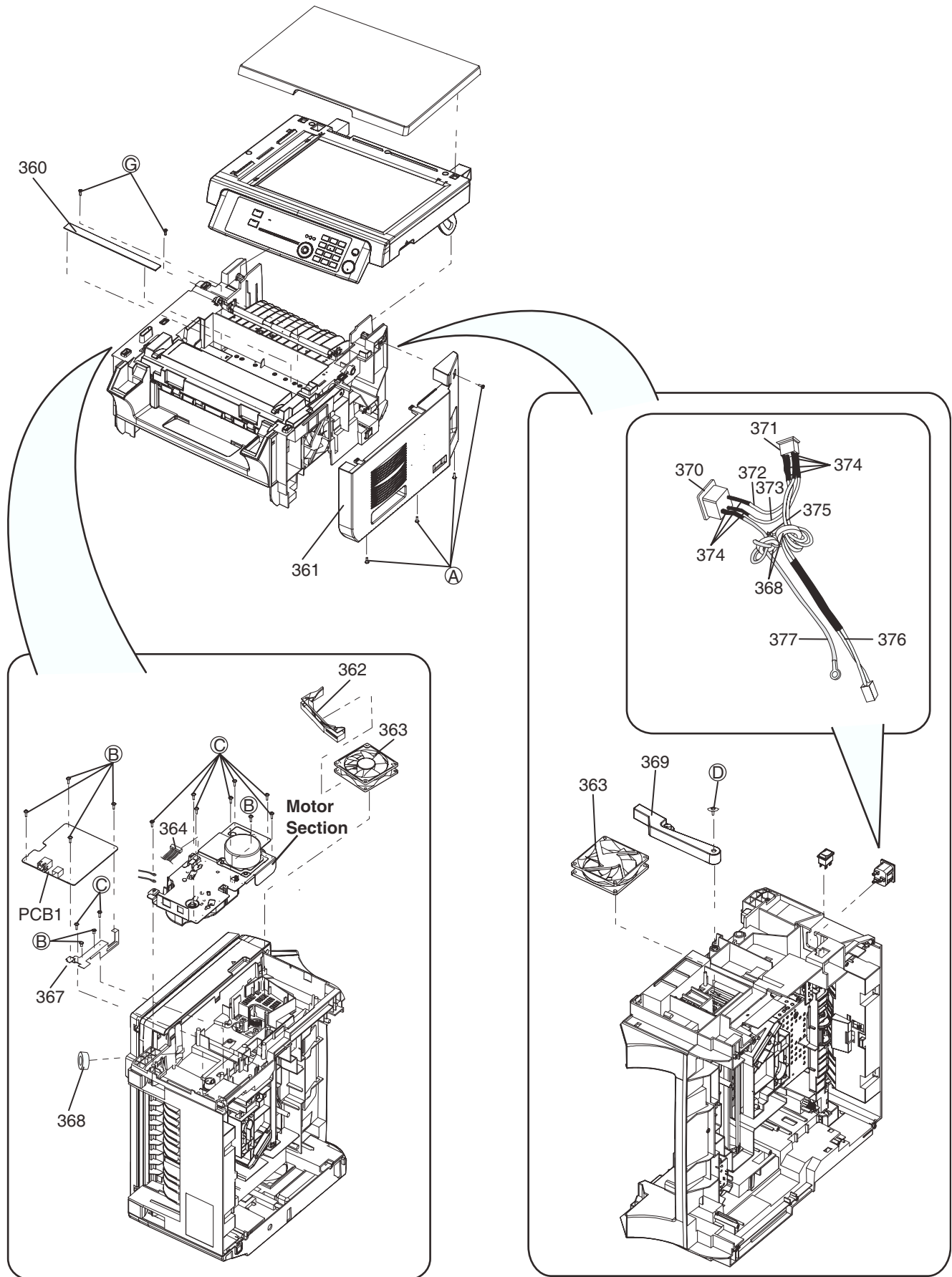
17.1.6. Bottom Cabinet Section (1)



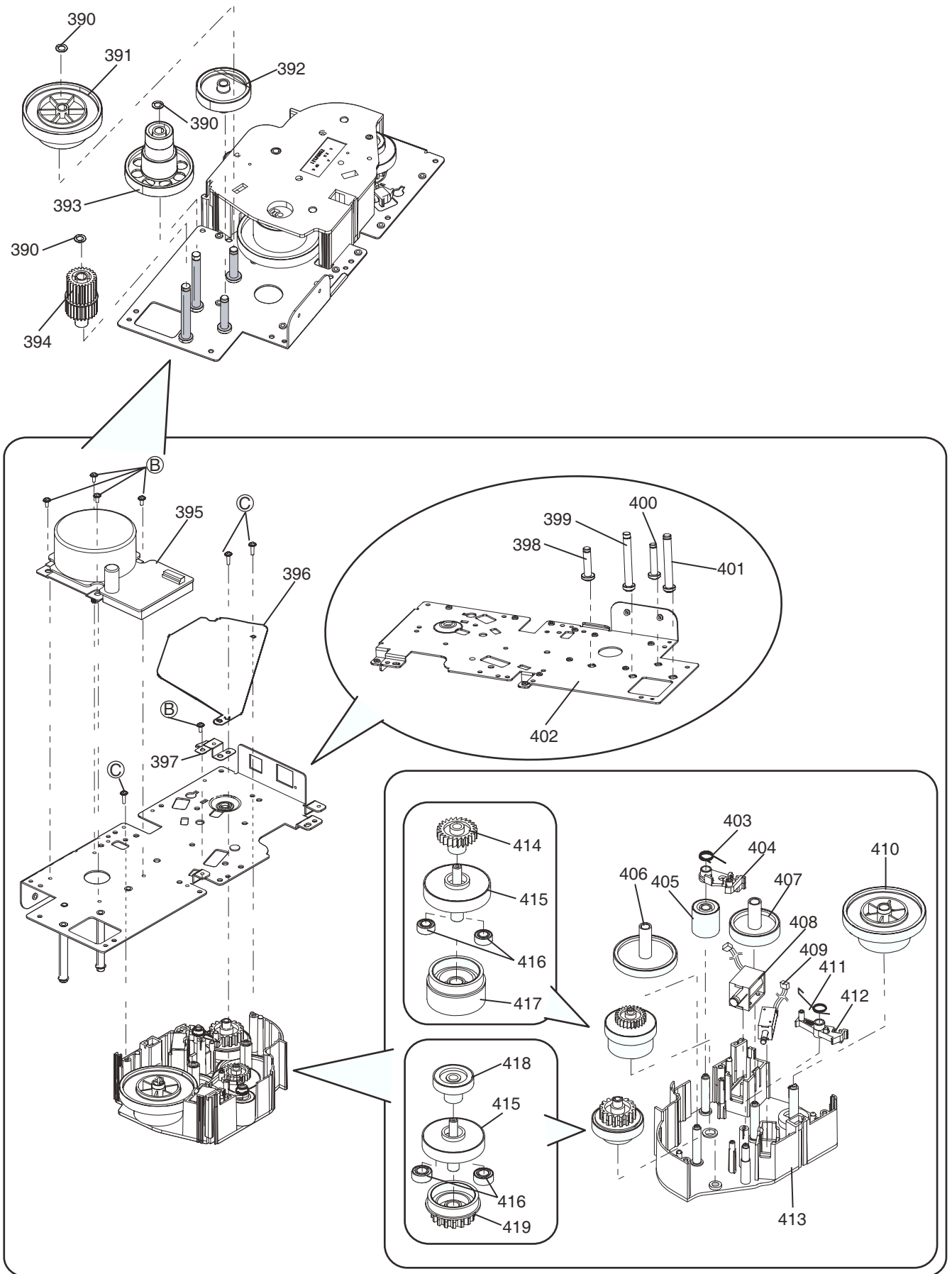
17.1.7. Separation (DFP) Roller Section



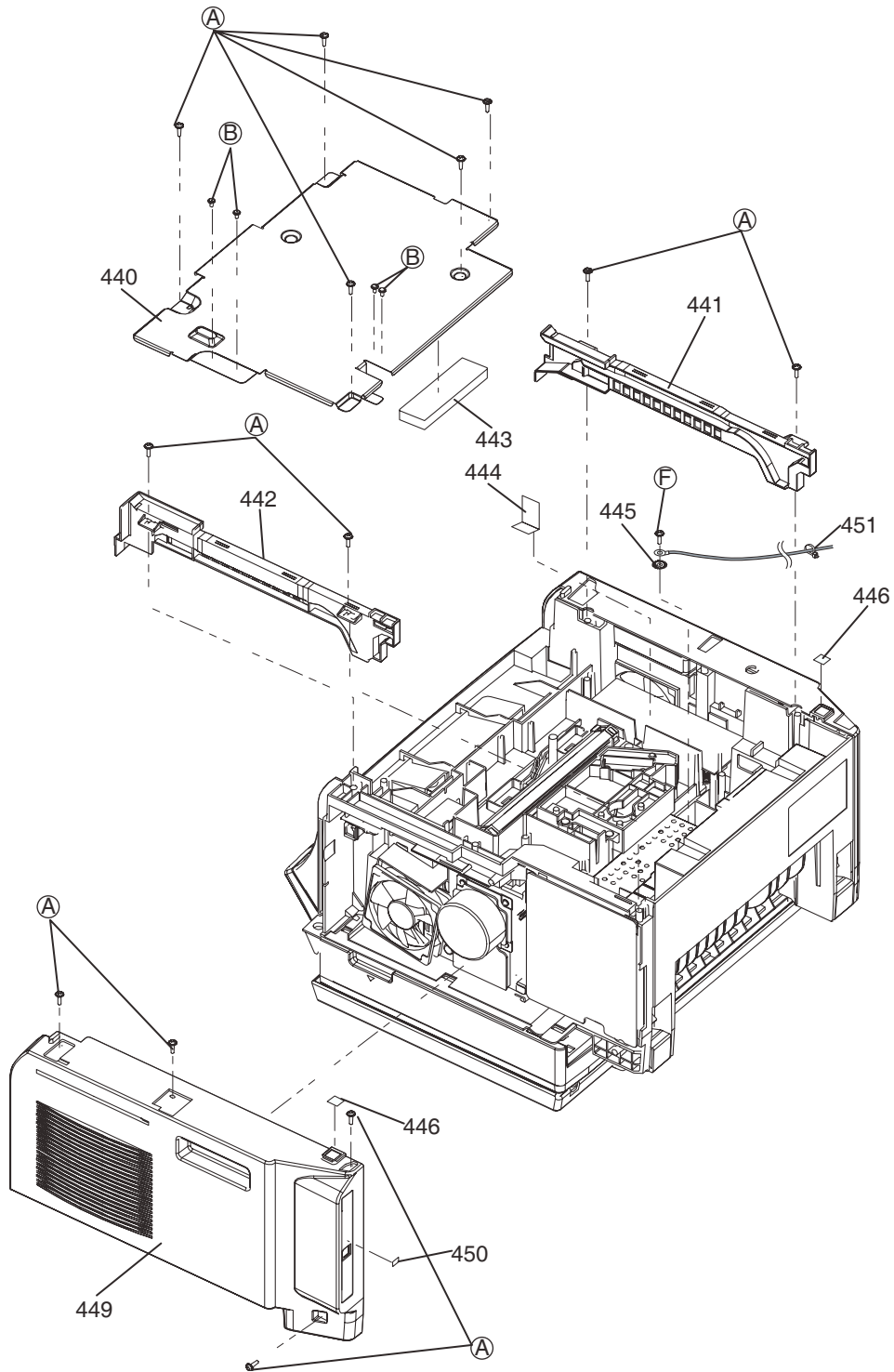
17.1.8. Side Cabinet Section



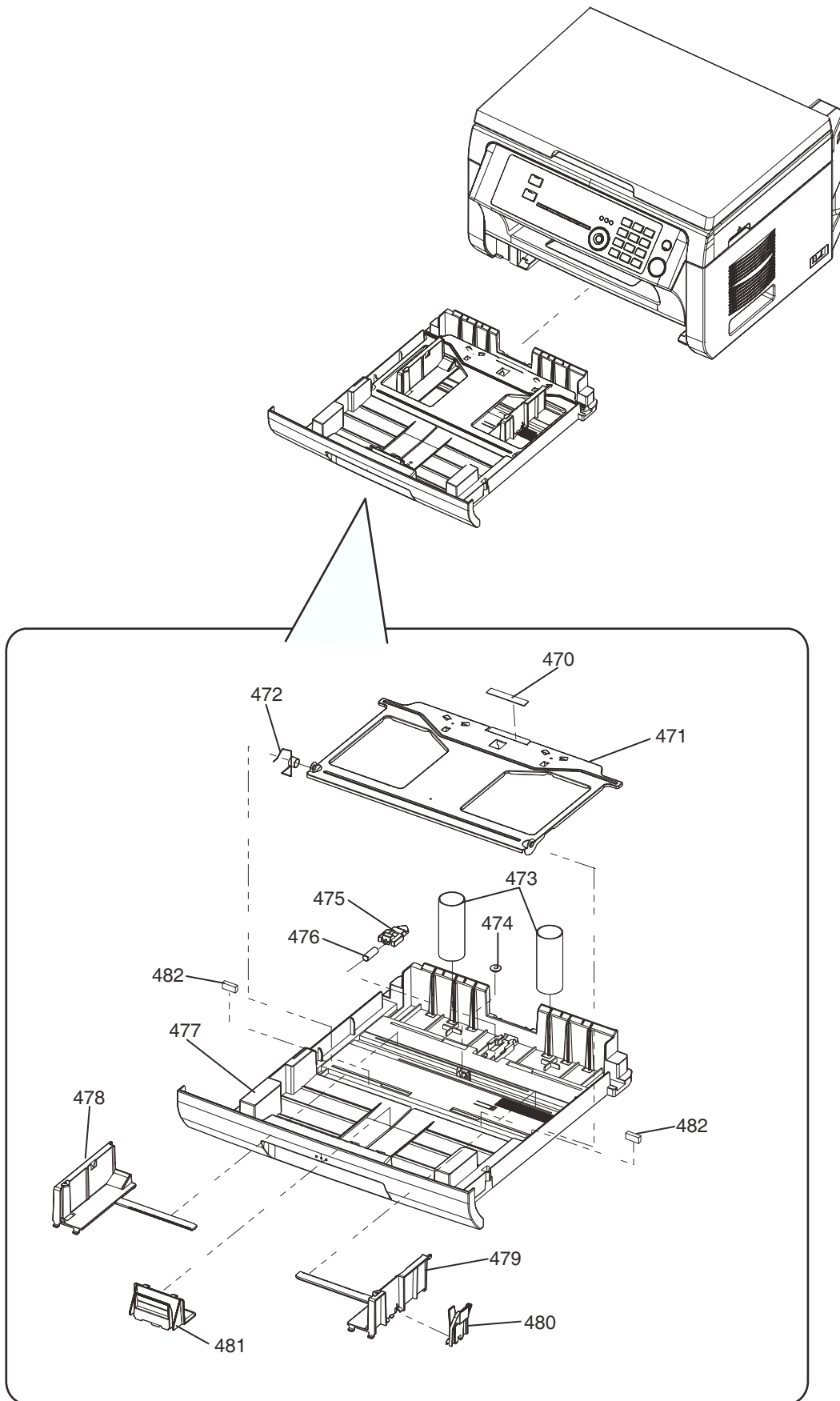
17.1.9. Motor Section



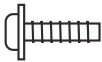


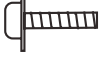



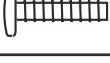


17.1.10. Bottom Cabinet Section (2)



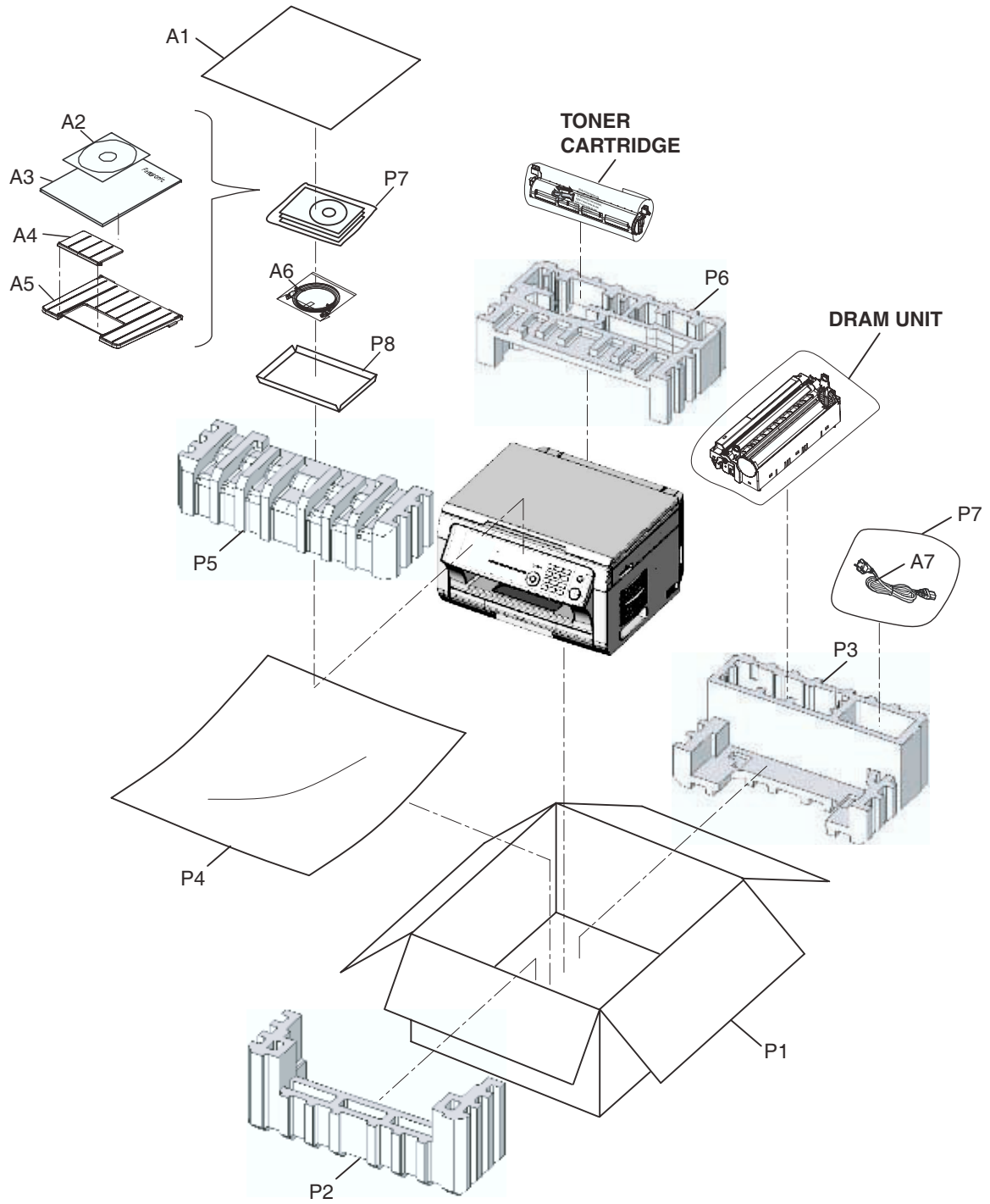
17.1.11. Output Tray Section



17.1.12. Actual Size of Screws and Washer

		Illustration
Ⓐ	XTW3+10PFJ7	
Ⓑ	XTW3+6LFJ7	
Ⓒ	XTW3+12PFJ7	
Ⓓ	XTW3+W10PFJ	
Ⓔ	XYC3+FF8FJ	
Ⓕ	XSB4+6FJ	
Ⓖ	XTB3+10GFJ	
Ⓗ	XTB3+12JFJ	
Ⓘ	XTW3+20PFJ	
Ⓙ	XYN3+C6FJ	

17.1.13. Accessories and Packing Materials



17.2. Replacement Parts List

RTL (Retention Time Limited)

Notes:

- The "RTL" marking indicates that its Retention Time is Limited.

When production is discontinued, this item will continue to be available only for a specific period of time. This period of time depends on the type of item, and the local laws governing parts and product retention.

At the end of this period, the item will no longer be available.

- Important safety notice

Components identified by Δ mark have special characteristics important for safety. When replacing any of these components, use only manufacturer's specified parts.

- The S mark means the part is one of some identical parts. For that reason, it may be different from the installed part.

- ISO code (Example : ABS-HB) of the remarks column shows quality of the material and a flame resisting grade about plastics.

- RESISTORS & CAPACITORS

Unless otherwise specified;

All resistors are in ohms (Ω) k=1000 Ω , M=1000k Ω

All capacitors are in MICRO FARADS (μ F) P= μ mF

*Type & Wattage of Resistor

Type

ERC:Solid	ERX:Metal Film	PQ4R:Carbon
ERD:Carbon	ERG:Metal Oxide	ERS:Fusible Resistor
PQRD:Carbon	ER0:Metal Film	ERF:Cement Resistor

Wattege

10,16:1/8W	14,25:1/4W	12:1/2W	1:1W	2:2W	3:3W
------------	------------	---------	------	------	------

*Type & Voltage of Capacitor

Type

ECFD:Semi-Conductor	ECCD,ECKD,ECBT,PQCBC: Ceramic
ECQS:Styrol	ECQE,ECQV,ECQG: Polyester
PQCUV:Chip	ECEA,ECSZ: Electlytic
ECQMS:Mica	ECQP: Polypropylene

Voltage

ECQ Type	ECQG ECQV Type	ECSZ Type	Others		
1H:50V	05:50V	0F:3.15V	0J :6.3V	1V :35V	
2A:100V	1:100V	1A:10V	1A :10V	50,1H:50V	
2E:250V	2:200V	1V:35V	1C :16V	1J :63V	
2H:500V		0J:6.3V	1E,25:25V	2A :100V	

17.2.1. Cabinet and Electrical Parts

17.2.1.1. Operation Panel Section

Safety	Ref. No.	Part No.	Part Name & Description	Remarks
	1	PNBC1289Z1	PUSH BUTTON, STOP	ABS-HB
	2	PNBC1288Z1	PUSH BUTTON, START	ABS-HB
	3	PNBX1065C1	PUSH BUTTON, 12KEY (for KX-MB1900RUB)	ABS-HB
	3	PNBX1065C2	PUSH BUTTON, 12KEY (for KX-MB1900RUW)	ABS-HB
	4	PNBC1295Z1	PUSH BUTTON, MENU (for KX-MB1900RUB)	ABS-HB
	4	PNBC1295Z2	PUSH BUTTON, MENU (for KX-MB1900RUW)	ABS-HB
	5	PNBC1286Z1	PUSH BUTTON, SET (for KX-MB1900RUB)	ABS-HB
	5	PNBC1286Z2	PUSH BUTTON, SET (for KX-MB1900RUW)	ABS-HB
	6	PNBC1285Y1	PUSH BUTTON, CURSOR (for KX-MB1900RUB)	ABS-HB

Safety	Ref. No.	Part No.	Part Name & Description	Remarks
	6	PNBC1285Y2	PUSH BUTTON, CURSOR (for KX-MB1900RUW)	ABS-HB
	7	PNHR1200Z	CASE/COVER (for KX-MB1900RUB)	ABS-HB
	7	PNHR1200W	CASE/COVER (for KX-MB1900RUW)	ABS-HB
	8	PNBX1069Y1	PUSH BUTTON, 5KEY	ABS-HB
	9	NOT USED		
	10	PNHR1203Y	CASE/COVER	ABS-HB
	11	PNBX1070Y1	PUSH BUTTON, FAX/COPY (for KX-MB1900RUB)	ABS-HB
	11	PNBX1070Y2	PUSH BUTTON, FAX/COPY (for KX-MB1900RUW)	ABS-HB
	12	NOT USED		
	13	NOT USED		
	14	PNGP1095R1	PANEL (for KX-MB1900RUB)	PC-HB
	14	PNGP1095R2	PANEL (for KX-MB1900RUW)	PC-HB
	15	PNGX1017Y1	ORNAMENT	PS-HB
	16	PNGG1064Z1	GRILLE (for KX-MB1900RUB)	PS-HB
	16	PNGG1064Z2	GRILLE (for KX-MB1900RUW)	PS-HB

17.2.1.2. Flatbed Section

Safety	Ref. No.	Part No.	Part Name & Description	Remarks
	100	PFUE1048Z	FRAME	
	101	PFHR1713Y	HINGE-STAY (for KX-MB1900RUB)	
	101	PFHR1713Z	HINGE-STAY (for KX-MB1900RUW)	
	102	PNKK1034X1	DOOR-LID (for KX-MB1900RUB)	PS-HB
	102	PNKK1034X2	DOOR-LID (for KX-MB1900RUW)	PS-HB
	103	PFUS1566Z	COIL SPRING	

17.2.1.3. TOP Cover Section

Safety	Ref. No.	Part No.	Part Name & Description	Remarks
	130	PFDE1303X	SPACER	
	131	N2GAYY000002	IMAGE SENSOR	
	132	PFHX2126Z	PLASTIC PARTS	
	133	JOKE00000114	INSULATOR	
	134	PNJS131001Z	CONNECTOR	
	135	PFJS04M74Z	LEAD WIRE	
	136	PFUS1642Y	COIL SPRING	
	137	PFUS1344Z	COIL SPRING	
	138	PFDC1005X	GUIDE	
	139	PFJE1068Z	LEAD WIRE	
	140	PNDF1028Z	SHAFT	
	141	PFDV1005Y	ROUND BELT	
	142	PFUS1817Z	COIL SPRING	
	143	PFHX2134Z	PLASTIC PARTS	
	144	PFHE1319Z	PLASTIC PARTS	
	145	PFUS1819Z	TORSION SPRING	
	146	WLL20YG18M3M	LEAD WIRE	
	147	PNDE1023Z1	LEVER	POM-HB
	148	PNUS1101Z	COIL SPRING	
	149	PNJS031003Z	CONNECTOR	
	150	PNJS081030Z	CONNECTOR	
	151	PFNPD031054C	WASHER	
	152	PFDE1170Z	PULLEY	
	153	PFDE1168Z	PULLEY	
	154	PFDG1551Y	GEAR	
	155	PFMH1258Z	PLATE	
	156	L6HAYYK0013	DC MOTOR	
	157	PFDE1169Z	PULLEY	
	158	PFMH1257Z	PLATE	
	159	PFMH1159Z	METAL PARTS	

Safety	Ref. No.	Part No.	Part Name & Description	Remarks
	160	PFDJ1042Z	SPACER	
	161	PFDS1032Z	ROLLER	
	162	PFDG1294Z	GEAR	
	163	PFUS1269Y	COIL SPRING	
	164	PNHG1095Z	RUBBER PARTS	
	165	PNDE1022Y1	ARM	PS-HB
	166	PNUS1100Y	COIL SPRING	
	167	PNHS1182Z	FELT PARTS	
	168	PNKV1059Z1	COVER (for KX-MB1900RUB)	PS-HB
	168	PNKV1059Z2	COVER (for KX-MB1900RUW)	PS-HB
	169	PNKM1110Y2	CABINET BODY	PS-HB
	170	PF0G1016Z	GLASS/TRANSPARENT PLATE	
	171	PF0G1017Z	GLASS/TRANSPARENT PLATE	
	172	PFMH1256Z	ANGLE	
	173	PFHX1796Z	PLASTIC PARTS (for KX-MB1900RUB)	
	173	PNHX1293Z	PLASTIC PARTS (for KX-MB1900RUW)	
	174	PFUS1820Z	TORSION SPRING	
	175	PFKF1205Y3	CABINET COVER (for KX-MB1900RUB)	PS-HB
	175	PFKF1205Y1	CABINET COVER (for KX-MB1900RUW)	PS-HB
	176	PNZXB2030RUB	SCANNER GLASS ASS'Y (for KX-MB1900RUB)	
	176	PNZXB2030RUW	SCANNER GLASS ASS'Y (for KX-MB1900RUW)	
	177	ZT2512-08	TAPE	

17.2.1.4. Main Cabinet Section

Safety	Ref. No.	Part No.	Part Name & Description	Remarks
	190	PNQT1500Y	LABEL, CAUTION	
	191	PFSE1054Z	ANGLE	
	192	PNUE1011Y	AIR DACT	ABS-HB
	193	PFJV1013Z	METAL PARTS	
	194	PFDG1420Z	GEAR	
	195	PFDJ1044Z	SPACER	
	196	PNDN1005Z	ROLLER	
	197	PFDJ1086X	SPACER	
	198	PFUS1613Z	COIL SPRING	
	199	PNDP1020Z	SHAFT	
	200	PFDJ1086Z	SPACER	
	201	PNKE1046Z1	COVER (for KX-MB1900RUB)	PS-HB
	201	PNKE1046Z2	COVER (for KX-MB1900RUW)	PS-HB
	202	PNKE1047Z1	COVER (for KX-MB1900RUB)	PS-HB
	202	PNKE1047Z2	COVER (for KX-MB1900RUW)	PS-HB
	203	PNKM1109Z1	CABINET BODY (for KX-MB1900RUB)	PS-V0
	203	PNKM1109Z2	CABINET BODY (for KX-MB1900RUW)	PS-V0
	204	PFDJ1085Z	SPACER	
	205	PFQT2937Y	LABEL, MANUAL (for KX-MB1900RUB)	
	205	PFQT2937Z	LABEL, MANUAL (for KX-MB1900RUW)	
	206	PFKR1079Z2	GUIDE (for KX-MB1900RUB)	
	206	PFKR1079Z1	GUIDE (for KX-MB1900RUW)	
	207	PFKR1080Z2	GUIDE (for KX-MB1900RUB)	
	207	PFKR1080Z1	GUIDE (for KX-MB1900RUW)	
	208	PFKE1083Z2	PLASTIC PARTS (for KX-MB1900RUB)	
	208	PFKE1083Z1	PLASTIC PARTS (for KX-MB1900RUW)	
	209	PFDG1015Y	GEAR	
	210	PNKK1037Y1	DOOR-LID (for KX-MB1900RUB)	PS-HB

Safety	Ref. No.	Part No.	Part Name & Description	Remarks
	210	PNKK1037Y2	DOOR-LID (for KX-MB1900RUW)	PS-HB
	211	PFDN1091Y	ROLLER	
	212	PFUS1812Z	COIL SPRING	
	213	PFDE1299Z	ROLLER	
	214	PFDG1550Z	GEAR	
	215	XUC2FJP	RETAINING RING	
	216	PNGT5004Z-M	NAME PLATE, AL (for KX-MB1900RUB)	
	216	PNGT5014Z-M	NAME PLATE, AL (for KX-MB1900RUW)	
	217	PNQT1734Z	LABEL, CAUTION DAMPER	
	218	PFHX1884Z	MAGNETIC SHIELD	
	219	PFDJ1085X	SPACER	
	220	PNQS1256Z	LABEL, SHOW STICKER	
	221	PNQS1197Z	LABEL, SHOW STICKER	

17.2.1.5. Fuser Section

Note:

(*1) After the production of this model is discontinued, this fuser unit can not be supplied.

Safety	Ref. No.	Part No.	Part Name & Description	Remarks
△	230	A4DY000004	COIL HEATER	
	231	PNDJ1012Z	SPACER	Plyamideimide-V0
	232	PNDS1010Y	ROLLER	A5052+PTFE
	233	PFDJ1114Z	SPACER	PPS-V0
	234	PFDG1421Z	GEAR	PPS-V0
	235	PNJT1036Z	TERMINAL-TERMINAL PLATE	
△	236	K0BDB0000073	THERMOSTAT	
	237	PNJT1037Z	TERMINAL-TERMINAL PLATE	
	238	PFMH1085Z	METAL PARTS	
	239	PFJT1032Z	TERMINAL-TERMINAL PLATE	
	240	PNHR1173Z	PLASTIC PARTS	PPS-V0
	241	PFUS1640Z	COIL SPRING	
	242	PNDR1021Y	ROLLER	
	243	PFDG1422Z	GEAR	Polyamide-V0
	244	XUC2FJP	RETAINING RING	
	245	PFDG1423Z	GEAR	POM-HB
	246	PNDS1011Z	ROLLER	
	247	PFHR1705Y	ARM	PBT+ABS-GF30-V0
	248	PFDJ1113Z	SPACER	Polyetherimide-V0
	249	PFUS1426Z	COIL SPRING	
	250	PFHR1495Z	LEVER	PBT+ABS0-V0
	251	PFDR1069Z	ROLLER	POM-HB
	252	PFUS1568Z	BAR SPRING	
	253	PFUA1094Y	CHASSIS	PBT+ABS GF30%-V0
	254	PFHR1496Z	LEVER	PBT+GF30-V0
	255	PFJS04M73Z	LEAD WIRE	
	256	L2AA00000106	THERMISTOR	
	257	PNUA1016X	CHASSIS	PBT+ABS-GF30-V0
	258	PFUS1686Z	TORSION SPRING	
	259	PFDE1310Z	LEVER	
	260	PNWEMB2030RU	FUSER UNIT (*1)	

17.2.1.6. Bottom Cabinet Section (1)

Safety	Ref. No.	Part No.	Part Name & Description	Remarks
	280	PNUS1092Y	LEAF SPRING	
	281	PF0M1008Z	MIRROR	
△	282	LPA1605K	LASER	
	283	PNJS051014Z	CONNECTOR	
	284	PNJS071017Z	CONNECTOR	
	285	PNJS081023Z	CONNECTOR	
	286	PNJS101002Z	CONNECTOR	
	287	PNQT1506Z	LABEL, LASER CAUTION	
	288	PFUS1592Z	TORSION SPRING	
	289	PNUE1012Z	KEYLOCK	PS-HB
	290	PFUS1811Z	COIL SPRING	
	291	PNVW1010Z	LEAD WIRE	
	292	PNVW1011Z	LEAD WIRE	
	293	PFUS1612Z	COIL SPRING	
	294	PNJS081031Z	CONNECTOR	
△	295	PFJS02M95Z	LEAD WIRE	
	296	PFMH1255Z	CASE/COVER	
	297	PFJS05M76Z	LEAD WIRE	
	298	PFUV1111Z	COVER	
	299	PFJS04M72Z	LEAD WIRE	
	300	PFDE1252Z	LEVER	
	301	PFUE1044Z	CHASSIS	
	302	PFUS1809Z	TORSION SPRING	
	303	PFUS1916Z	TORSION SPRING	
	304	PFUE1045Z	LEVER	
	305	PFUS1805Z	BAR SPRING	
	306	PFUS1806Z	BAR SPRING	
	307	PFUS1807Z	BAR SPRING	
	308	PFUS1808Z	BAR SPRING	
	309	PNDF1022Z	SHAFT	
	310	XPL15A10WVW2	COIL SPRING	
	311	PNUS1114Z	TORSION SPRING	
	312	PFDG1418Z	GEAR	
	313	PNHX1252Y	PLASTIC PARTS	
	314	PFDE1300Z	LEVER	
	315	PFDJ1084X	SPACER	
	316	PNUG1018Z	GUIDE	PS-V0
	317	PNDR1019Z	ROLLER	POM-HB
	318	PFDJ1084Z	SPACER	
	319	PNHR1236Z	SPACER	ABS-HB
	320	PNDR1018Z1	ROLLER	EPDM
	321	PNHS1196Z	FELT PARTS	

17.2.1.7. Separation (DFP) Roller Section

Safety	Ref. No.	Part No.	Part Name & Description	Remarks
	330	PNHR1235Z	PLASTIC PARTS	ABS-HB
	331	PFNPD041065C	SPACER	
	332	PNUS1104Z	COIL SPRING	
	333	PFUS1923Z	COIL SPRING	
	334	PNDF1027Z	SHAFT	
	335	PNDR1020Z	ROLLER	POM-HB
	336	PFHR1538Z	CABINET ACCESSORY	
	337	PNUS1102Z	COIL SPRING	
	338	PNHG1088Z	RUBBER PARTS	
	339	PNUG1017W	GUIDE	PS-HB
	340	PNDR1014Z	ROLLER	
	341	PFHR1795Z	PLASTIC PARTS	
	342	PFDX1089Z	DRUM	
	343	PFDF1197Y	SHAFT	
	344	XPJ2A8VWM2	KEY-PIN	
	345	PNHR1234Y	CHASSIS	ABS-HB
	346	PNHX1224Z	PLASTIC PARTS	

17.2.1.8. Side Cabinet Section

Safety	Ref. No.	Part No.	Part Name & Description	Remarks
	360	PF0G1015Z	GLASS/TRANSPARENT PLATE	
	361	PNKV1061Z1	COVER (for KX-MB1900RUB)	PS-V0
	361	PNKV1061Z2	COVER (for KX-MB1900RUW)	PS-V0
	362	PNHR1257Z	AIR DACT	
	363	L6FAYYYK0001	DC MOTOR	
	364	PNJS081024Z	CONNECTOR	
	365	NOT USED		
	366	NOT USED		
	367	PNMH1068Z	METAL PARTS	
	368	JOKE00000114	INSULATOR	
	369	PNDE1021Z1	LEVER	ABS-HB
△	370	K2AH3G000011	JACK/SOCKET	
△	371	K0AALE000029	SEESAW SWITCH	
△	372	PNWLXC12HHXX	LEAD WIRE	
△	373	PNWLXA13HHXX	LEAD WIRE	
	374	PQMX10010Z	CASE/COVER	
	375	PQHR945Z	BAND	
△	376	PNJS021038Z	CONNECTOR	
△	377	PNVW1012Z	LEAD WIRE	

17.2.1.9. Motor Section

Safety	Ref. No.	Part No.	Part Name & Description	Remarks
	390	PFNPD052080	SPACER	
	391	PFDG1544Y	GEAR	
	392	PFDG1548Z	GEAR	
	393	PFDG1543Z	GEAR	
	394	PFDG1549Z	GEAR	
	395	L6CCYYK0006	DC MOTOR	
	396	PNHX1255Z	PLASTIC PARTS	
	397	PNMH1067Z	METAL PARTS	
	398	PNDF1024Z	SHAFT	
	399	PNDF1023Z	SHAFT	
	400	PNDF1025Z	SHAFT	
	401	PNDF1026Z	SHAFT	
	402	PNMD1027Z	FRAME	
	403	PFUS1803Z	TORSION SPRING	
	404	PFDE1298Y	LEVER	
	405	PFDG1391Z	GEAR	
	406	PFDG1546Z	GEAR	
	407	PFDG1390Z	GEAR	
	408	L9AAAYYB0001	ERECTROMAGNETIC COIL	
	409	L9AAAYYB0006	ERECTROMAGNETIC COIL	
	410	PFDG1545Y	GEAR	
	411	PNUS1014Z	TORSION SPRING	
	412	PFDE1297X	LEVER	
	413	PFUA1092Z	CHASSIS	
	414	PFDG1547Z	GEAR	
	415	PFDG1402Z	GEAR	
	416	PFDG1403Z	GEAR	
	417	PFDG1404Z	GEAR	
	418	PFDG1401Z	GEAR	
	419	PFDG1407Z	GEAR	

17.2.1.10. Bottom Cabinet Section (2)

Safety	Ref. No.	Part No.	Part Name & Description	Remarks
	440	PFMD1112Z	PLATE	
	441	PNUG1016Z	GUIDE	PS-HB
	442	PNUG1015Z	GUIDE	PS-HB
	443	PNHS1171Z	FELT PARTS	
	444	PNHX1269Y	PLASTIC PARTS	
	445	XWC4BFJ	WASHER	
	446	PFHA1001Z	RUBBER PARTS	

Safety	Ref. No.	Part No.	Part Name & Description	Remarks
	447	NOT USED		
	448	NOT USED		
	449	PNKV1060Y1	COVER (for KX-MB1900RUB)	PS-V0
	449	PNKV1060Y2	COVER (for KX-MB1900RUW)	PS-V0
	450	PFQT3054Z	LABEL, USB	
	451	PQHR945Z	BAND	

17.2.1.11. Output Tray Section

Safety	Ref. No.	Part No.	Part Name & Description	Remarks
	470	PFHG1245Z	RUBBER PARTS	
	471	PNMD1022Z	CHASSIS	
	472	PFUS1814Z	TORSION SPRING	
	473	PNUS1103Z	COIL SPRING	
	474	PFDG1015Y	GEAR	
	475	PFHR1491Z	LEVER	
	476	PFUS1608Z	COIL SPRING	
	477	PNKS1007Z1	TRAY (for KX-MB1900RUB)	PS-HB
	477	PNKS1007Z2	TRAY (for KX-MB1900RUW)	PS-HB
	478	PFKR1108Y	LEVER	
	479	PFKR1109Y	LEVER	
	480	PFHR1707Z	LEVER	
	481	PFKR1085Y	RACK	
	482	PNHS1174Z	FELT PARTS	

17.2.1.12. Screws

Safety	Ref. No.	Part No.	Part Name & Description	Remarks
	A	XTW3+10PFJ7	TAPPING SCREW, STEEL	
	B	XTW3+6LFJ7	TAPPING SCREW, STEEL	
	C	XTW3+12PFJ7	TAPPING SCREW, STEEL	
	D	XTW3+W10PFJ	TAPPING SCREW, STEEL	
	E	XYC3+FF8FJ	SCREW WITH WASHER, STEEL	
	F	XSB4+6FJ	SCREW WITH WASHER, STEEL	
	G	XTB3+10GFJ	TAPPING SCREW, STEEL	
	H	XTB3+12JFJ	TAPPING SCREW, STEEL	
	I	XTW3+20PFJ	TAPPING SCREW, STEEL	
	J	XYN3+C6FJ	TAPPING SCREW, STEEL	

17.2.1.13. Accessories and Packing Materials

Safety	Ref. No.	Part No.	Part Name & Description	Remarks
	A1	PNQW1881X	LEAFLET	
	A2	PNJKMB2030Z	MEMORY PARTS	
	A3	PNQW1880X	LEAFLET, IIG	
	A4	PNKS1011Z1	TRAY (for KX-MB1900RUB)	PS-HB
	A4	PNKS1011Z2	TRAY (for KX-MB1900RUW)	PS-HB
	A5	PNKS1010Z1	TRAY (for KX-MB1900RUB)	PS-HB
	A5	PNKS1010Z2	TRAY (for KX-MB1900RUW)	PS-HB
	A6	PFJA05D001Z	CORD, USB	
⚠	A7	PFJA03A010Z	POWER CORD	
	P1	PNPK3067Z-M	PACKING CASE (for KX-MB1900RUB)	ABS-HB
	P1	PNPK3068Z-M	PACKING CASE (for KX-MB1900RUW)	ABS-HB
	P2	PNPN1133X	CUSHION	ABS-HB
	P3	PNPN1135X	CUSHION	ABS-HB
	P4	PFPP1041Z	PROTECTION COVER	
	P5	PNPN1132Y	CUSHION	ABS-HB
	P6	PNPN1134Y	CUSHION	ABS-HB
	P7	PFPP1052Z	PROTECTION COVER	
	P8	PNPD1121Z	CUSHION	

17.2.2. Main Board

Safety	Ref. No.	Part No.	Part Name & Description	Remarks
	PCB1	PNWP1B1900RU	MAIN BOARD ASS'Y (RTL)	
			(ICs)	
	IC300	C1ZBZ0003801	IC	
	IC301	COEBE0000504	IC	
	IC400	C3ABRY000039	IC	
	IC402	PNWI1900RU	IC (ROM)	
	IC501	C0DBGY000330	IC	
	IC502	C0GBY0000066	IC	
	IC503	COFBAY000092	IC	
	IC504	COBBBA000044	IC	S
	IC800	C0DBAGE00028	IC	
			(TRANSISTORS)	
	Q500	B1ABCF000103	TRANSISTOR (SI)	S
	Q501	UNR92ANJOL	TRANSISTOR (SI)	
	Q502	UNR92ANJOL	TRANSISTOR (SI)	
	Q503	UNR92ANJOL	TRANSISTOR (SI)	
	Q504	UNR92ANJOL	TRANSISTOR (SI)	
	Q505	UNR92ANJOL	TRANSISTOR (SI)	
	Q506	UNR92ANJOL	TRANSISTOR (SI)	
	Q507	UNR921LJOL	TRANSISTOR (SI)	S
	Q509	2SB1197KQ	TRANSISTOR (SI)	S
	Q510	B1CHND000004	TRANSISTOR (SI)	
	Q511	UNR92ANJOL	TRANSISTOR (SI)	
	Q512	B1ABCF000103	TRANSISTOR (SI)	S
	Q514	2SD0874AS	TRANSISTOR (SI)	
	Q516	2SD0874AS	TRANSISTOR (SI)	
	Q517	2SD0874AS	TRANSISTOR (SI)	
	Q518	B1ADGE000004	TRANSISTOR (SI)	
	Q521	2SK3018	TRANSISTOR (SI)	S
	Q522	B1ABCF000103	TRANSISTOR (SI)	S
	Q523	B1ADGE000004	TRANSISTOR (SI)	
	Q524	UNR92ANJOL	TRANSISTOR (SI)	
	Q525	UNR92ANJOL	TRANSISTOR (SI)	
	Q526	UNR92ANJOL	TRANSISTOR (SI)	
	Q527	UN9219J	TRANSISTOR (SI)	S
	Q528	UNR92ANJOL	TRANSISTOR (SI)	
	Q529	B1ADCF000161	TRANSISTOR (SI)	
	Q530	2SK3018	TRANSISTOR (SI)	S
	Q800	2SC4081R	TRANSISTOR (SI)	S
	Q801	UNR92A5JOL	TRANSISTOR (SI)	
	Q802	B1CHQD000001	TRANSISTOR (SI)	
	Q803	B1CHQD000001	TRANSISTOR (SI)	
	Q804	B1ABKD000001	TRANSISTOR (SI)	
	Q805	B1ABKD000001	TRANSISTOR (SI)	
	Q806	2SB1197KQ	TRANSISTOR (SI)	S
	Q807	2SB1197KQ	TRANSISTOR (SI)	S
			(DIODES)	
	D306	B0ZBZ0000146	DIODE (SI)	
	D308	B0BC5R000009	DIODE (SI)	
	D501	B0ACEL000004	DIODE (SI)	
	D503	B0ACEL000004	DIODE (SI)	
	D504	B0ACEL000004	DIODE (SI)	
	D800	B0JCPD000033	DIODE (SI)	
	D801	B0BC5R900006	DIODE (SI)	
	D803	B0JCPD000033	DIODE (SI)	
	D804	B0BC3R800009	DIODE (SI)	
	D805	B0BC01000014	DIODE (SI)	
	D806	B0BC01000014	DIODE (SI)	
	DA500	PJVDJADAN202	DIODE (SI)	S
			(CAPACITORS)	
	C300	ECUE1C104ZFQ	0.1	
	C301	ECUE1C104ZFQ	0.1	
	C304	ECJ0EB0J224K	0.22	S
	C305	ECJ0EB0J224K	0.22	S
	C306	ECJ0EB0J224K	0.22	S
	C308	ECJ0EB0J224K	0.22	S
	C310	ECUE1H220JQC	22p	
	C311	ECUE1H270JQC	27p	
	C312	ECUE1A104KBQ	0.1	
	C315	ECUE1H100DCQ	10p	

Safety	Ref. No.	Part No.	Part Name & Description	Remarks
	C316	ECUE1H8R0DCQ	8	
	C317	ERJ2GE0R00	0	S
	C319	ERJ2GE0R00	0	S
	C321	ECUE1C104ZFQ	0.1	
	C325	ECUE1C104ZFQ	0.1	
	C326	ECUE1C103KBQ	0.01	
	C327	ECUE1C104ZFQ	0.1	
	C328	ECUE1C104ZFQ	0.1	
	C329	ECUE1C104ZFQ	0.1	
	C330	ECUE1C104ZFQ	0.1	
	C331	ECUE1C104ZFQ	0.1	
	C332	ECUE1C104ZFQ	0.1	
	C333	ECUE1C104ZFQ	0.1	
	C334	ECUE1C104ZFQ	0.1	
	C335	ECUE1C104ZFQ	0.1	
	C336	ECUE1C104ZFQ	0.1	
	C337	ECUE1C104ZFQ	0.1	
	C338	ECUE1C104ZFQ	0.1	
	C339	ECUE1C104ZFQ	0.1	
	C351	ECUE1H101JCQ	100p	
	C352	ECUE1C104ZFQ	0.1	
	C353	ECUE1C104ZFQ	0.1	
	C354	ECUE1C104ZFQ	0.1	
	C355	ECUE1C104ZFQ	0.1	
	C357	ECUE1C104ZFQ	0.1	
	C358	ECUE1C104ZFQ	0.1	
	C359	ECUE1C104ZFQ	0.1	
	C360	ECUE1C104ZFQ	0.1	
	C361	ECUE1C104ZFQ	0.1	
	C362	ECUE1C104ZFQ	0.1	
	C363	ECUE1C104ZFQ	0.1	
	C364	ECUE1C104ZFQ	0.1	
	C400	ECUE1C104ZFQ	0.1	
	C401	ECUE1C103KBQ	0.01	
	C402	ECUE1C104ZFQ	0.1	
	C403	ECUE1C104ZFQ	0.1	
	C404	ECUE1C104ZFQ	0.1	
	C405	ECUE1C103KBQ	0.01	
	C406	ECUE1C104ZFQ	0.1	
	C412	ECUE1C103KBQ	0.01	
	C413	ECUE1C104ZFQ	0.1	
	C414	ECUE1C104ZFQ	0.1	
	C419	ECUE1H101JCQ	100p	
	C420	ECUE1H101JCQ	100p	
	C421	ECUE1H101JCQ	100p	
	C422	ECUE1H101JCQ	100p	
	C423	ECUE1H101JCQ	100p	
	C424	ECUE1H101JCQ	100p	
	C425	ECUE1H101JCQ	100p	
	C426	ECUE1H101JCQ	100p	
	C427	ECUE1H101JCQ	100p	
	C428	ECUE1H101JCQ	100p	
	C429	ECUE1H101JCQ	100p	
	C470	ECUE1H270JCQ	27p	
	C471	ECUE1C104ZFQ	0.1	
	C501	ECUV1H104ZV	0.1	
	C502	ECUE0J105KBQ	1	
	C503	ECUV1H104ZV	0.1	
	C504	ECUE1C104ZFQ	0.1	
	C505	F2G1V2210014	220	
	C506	ECUE1H100DCQ	10p	
	C507	ECUE1H102KBQ	0.001	
	C508	ECJ0EB1A473K	0.047	S
	C509	ECUE1A104KBQ	0.1	
	C510	ECUE1A104KBQ	0.1	
	C511	ECUE1H102KBQ	0.001	
	C512	F1J0J1060006	10	
	C513	ECUV1A105ZV	1	
	C514	ECUE1H101JCQ	100p	
	C515	F2G1V2210014	220	
	C516	ECUE1H102KBQ	0.001	
	C517	ECUE1H102KBQ	0.001	
	C518	ECUV1H104ZV	0.1	

Safety	Ref. No.	Part No.	Part Name & Description	Remarks
	C520	ECUE1H102KBQ	0.001	
	C522	ECUE1H102KBQ	0.001	
	C524	F2G1V4700028	47	
	C525	ECUV1H104ZV	0.1	
	C526	ECUE1H102KBQ	0.001	
	C527	ECUE1H102KBQ	0.001	
	C528	ECUE1H102KBQ	0.001	
	C529	ECUE1H102KBQ	0.001	
	C530	F1J0J1060006	10	
	C531	F1J0J1060006	10	
	C533	ECUE1A104KBQ	0.1	
	C534	ECUE1A104KBQ	0.1	
	C536	ECUE1A104KBQ	0.1	
	C537	ECUE1A104KBQ	0.1	
	C538	F1J0J1060006	10	
	C540	ECUE1A104KBQ	0.1	
	C542	ECUE1A104KBQ	0.1	
	C543	ECUE1A104KBQ	0.1	
	C544	ECUE1C103KBQ	0.01	
	C545	ECUE0J105KBQ	1	
	C546	ECUE1C103KBQ	0.01	
	C547	ECUE1H101JCQ	100p	
	C548	ECUE1H102KBQ	0.001	
	C549	F2G0J1010015	100	
	C550	F2G1C2200013	22	
	C551	ECUE1H102KBQ	0.001	
	C552	ECUE1C104ZFQ	0.1	
	C553	ECUE1H102KBQ	0.001	
	C554	ECUE1H102KBQ	0.001	
	C555	ECUE1C104ZFQ	0.1	
	C556	ECUE1H101JCQ	100p	
	C557	ECUE1H181JCQ	180p	
	C559	ECUE1H102KBQ	0.001	
	C563	ECUE1H102KBQ	0.001	
	C565	ECJ0EB1A473K	0.047	S
	C568	ECUE1H102KBQ	0.001	
	C569	ECJ0EB1A473K	0.047	S
	C571	ECUE0J105KBQ	1	
	C572	ECUE1C104ZFQ	0.1	
	C645	ECUE1C104ZFQ	0.1	
	C646	ECUE1C104ZFQ	0.1	
	C647	ECUE1C104ZFQ	0.1	
	C648	ECUE1C104ZFQ	0.1	
	C649	ECUE1C104ZFQ	0.1	
	C650	ECUE1C104ZFQ	0.1	
	C651	ECUE1C104ZFQ	0.1	
	C652	ECUE1C104ZFQ	0.1	
	C653	ECUE1C104ZFQ	0.1	
	C654	ECUE1C104ZFQ	0.1	
	C655	ECUE1C104ZFQ	0.1	
	C656	ECUE1C104ZFQ	0.1	
	C657	ECUE1C104ZFQ	0.1	
	C658	ECUE1C104ZFQ	0.1	
	C659	ECUE1C104ZFQ	0.1	
	C660	ECUE1C104ZFQ	0.1	
	C661	ECUE1C104ZFQ	0.1	
	C662	ECUE1C104ZFQ	0.1	
	C663	ECUE1C104ZFQ	0.1	
	C664	ECUE1C104ZFQ	0.1	
	C665	ECUE1C104ZFQ	0.1	
	C666	ECUE1C104ZFQ	0.1	
	C667	ECUE1C104ZFQ	0.1	
	C668	ECUE1C104ZFQ	0.1	
	C669	ECUE1C104ZFQ	0.1	
	C670	ECUE1C104ZFQ	0.1	
	C671	ECUV1H104ZV	0.1	
	C672	ECUV1H104ZV	0.1	
	C673	ECUV1H104ZV	0.1	
	C674	ECUE1C104ZFQ	0.1	
	C675	ECUE1C104ZFQ	0.1	
	C676	ECUE1C104ZFQ	0.1	
	C677	ECUE1C104ZFQ	0.1	
	C678	ECUE1C104ZFQ	0.1	

Safety	Ref. No.	Part No.	Part Name & Description	Remarks
	C679	ECUE1C104ZFQ	0.1	
	C680	ECUE1C104ZFQ	0.1	
	C681	ECUE1C104ZFQ	0.1	
	C682	ECUE1C104ZFQ	0.1	
	C683	ECUE1C104ZFQ	0.1	
	C684	ECUE1C104ZFQ	0.1	
	C685	ECUE1C104ZFQ	0.1	
	C687	ECUE1C104ZFQ	0.1	
	C688	ECUE1C104ZFQ	0.1	
	C689	ECUE1C104ZFQ	0.1	
	C690	ECUE1C104ZFQ	0.1	
	C691	ECUE1C104ZFQ	0.1	
	C692	ECUE1C104ZFQ	0.1	
	C693	ECUE1C104ZFQ	0.1	
	C695	ECUE1C104ZFQ	0.1	
	C696	ECUE1C104ZFQ	0.1	
	C697	ECUE1C104ZFQ	0.1	
	C698	ECUE1C104ZFQ	0.1	
	C699	ECUE1C104ZFQ	0.1	
	C800	F2H0J1010009	100	
	C801	ECUV1H104ZFB	0.1	
	C802	PQCUV1A105KB	1	
	C803	ECUV1H104ZFB	0.1	
	C804	F1L1V1060002	35	
	C805	F1L1V1060002	35	
	C806	ECUV1H104ZFB	0.1	
	C807	ECUV1H104ZFB	0.1	
	C808	ECUV1H104ZFB	0.1	
	C809	ECJ0EB1A473K	0.047	S
	C810	ECUV1H103KBV	0.01	
	C811	ECUV1A474KBV	0.47	
	C812	ECUV1H103KBV	0.01	
	C813	ECUV1A334KBV	0.33	
	C814	ECUE1A104KBQ	0.1	
	C817	F2H0J1010009	100	
	C818	PQCUV1A105KB	1	
	C819	PQCUV1C105ZF	1	S
	C820	PQCUV1C105ZF	1	S
		(CONNECTORS)		
	CN300	K1FY104B0015	CONNECTOR, 8PIN	
	CN500	K1KA07A00257	CONNECTOR, 7PIN	
	CN501	K1KA05A00364	CONNECTOR, 5PIN	
	CN502	K1KA08A00193	CONNECTOR, 8PIN	
	CN504	K1KA08A00498	CONNECTOR, 8PIN	
	CN505	K1KA08A00440	CONNECTOR, 8PIN	
	CN506	K1KA03AA0193	CONNECTOR, 3PIN	
	CN507	K1KA02AA0193	CONNECTOR, 2PIN	
	CN508	K1KA10A00412	CONNECTOR, 10PIN	
	CN509	K1KA04A00527	CONNECTOR, 4PIN	
	CN510	K1KA13A00130	CONNECTOR, 13PIN	
	CN511	K1KA08A00440	CONNECTOR, 8PIN	
	CN514	K1KA02AA0193	CONNECTOR, 2PIN	
		(FUSE)		
	F800	K5H302Y00003	FUSE	
		(COILS)		
	L300	G1BYYYY00026	COIL	
	L502	PFVF2P221SG	COIL	S
	L800	G1C220MA0291	COIL	
	L801	G1C220MA0291	COIL	
		(IC FILTERS)		
	L344	J0JCC0000286	IC FILTER	
	L345	J0JCC0000286	IC FILTER	
	L346	J0JCC0000286	IC FILTER	
	L347	J0JCC0000286	IC FILTER	
	L364	J0JCC0000274	IC FILTER	
	L500	J0JCC0000277	IC FILTER	
	L501	J0JCC0000276	IC FILTER	
	L503	J0JCC0000020	IC FILTER	
	L504	J0JCC0000020	IC FILTER	
	FLT500	J0HAB000021	IC FILTER	
		(RESISTORS)		
	R302	ERJ2RKF49R9	49.9	
	R303	ERJ2GEJ472X	4.7k	S

Safety	Ref. No.	Part No.	Part Name & Description	Remarks
	R304	ERJ2GEJ101	100	S
	R305	ERJ2GEJ103	10k	S
	R307	ERJ2GEJ470	47	S
	R308	ERJ2GEJ470	47	S
	R309	ERJ2GEJ470	47	S
	R315	ERJ2GEJ103	10k	S
	R316	ERJ2GEJ103	10k	S
	R335	ERJ2GEJ472X	4.7k	S
	R338	ERJ2GEJ103	10k	S
	R339	ERJ2GEJ223	22k	S
	R340	ERJ2GEJ103	10k	S
	R341	ERJ2GEJ103	10k	S
	R342	ERJ2GEJ103	10k	S
	R343	ERJ2GEJ103	10k	S
	R344	ERJ2GEJ103	10k	S
	R345	ERJ2GEJ103	10k	S
	R346	ERJ2GEJ103	10k	S
	R347	ERJ2GEJ103	10k	S
	R348	ERJ2GEJ103	10k	S
	R349	ERJ2GEJ103	10k	S
	R350	ERJ2GEJ103	10k	S
	R351	ERJ2GEJ103	10k	S
	R352	ERJ2GEJ103	10k	S
	R353	ERJ2GEJ103	10k	S
	R354	ERJ2GEJ103	10k	S
	R355	ERJ2GEJ103	10k	S
	R361	ERJ2GEJ103	10k	S
	R363	ERJ2GEJ103	10k	S
	R365	ERJ2GEJ103	10k	S
	R367	ERJ2GEJ470	47	S
	R368	ERJ2GEJ470	47	S
	R369	ERJ2GEJ470	47	S
	R372	ERJ2GEJ103	10k	S
	R373	ERJ2GEJ103	10k	S
	R375	ERJ2GEJ221	220	S
	R376	ERJ2RKF6981	6.98k	S
	R378	ERJ2GEJ102	1k	S
	R380	ERJ2GEJ1R0	1	S
	R381	ERJ2GEJ1R0	1	S
	R382	ERJ2GEJ1R0	1	S
	R384	ERJ2GEJ101	100	S
	R385	ERJ2GEJ1R0	1	S
	R386	ERJ2GEJ221	220	S
	R387	ERJ2GEJ105X	1M	S
	R391	ERJ2GEJ103	10k	S
	R394	ERJ2GEJ103	10k	S
	R399	ERJ2GEJ103	10k	S
	R400	ERJ2GEJ470	47	S
	R401	ERJ2GEJ680	68	S
	R402	ERJ2GEJ470	47	S
	R403	ERJ2GEJ470	47	S
	R404	ERJ2GEJ470	47	S
	R405	ERJ2GEJ470	47	S
	R406	ERJ2GEJ470	47	S
	R407	ERJ2GEJ470	47	S
	R408	ERJ2GEJ470	47	S
	R409	ERJ2GEJ680	68	S
	R410	ERJ2GEJ680	68	S
	R449	ERJ2GEJ103	10k	S
	R501	ERJ2GEJ101	100	S
	R502	ERJ2GEJ101	100	S
	R503	ERJ2RKF6201	6.2k	S
	R504	ERJ2GEJ473	47k	S
	R505	ERJ2RKF1503	150k	S
	R506	ERJ2GEJ223	22k	S
	R507	ERJ2RKF2202	22k	S
	R508	ERJ2GEJ102	1k	S
	R509	ERJ2GEJ102	1k	S
	R510	ERJ2GEJ562X	5.6k	S
	R511	ERJ2GEJ181	180	S
	R512	ERJ2GEJ563	56k	S
	R513	ERJ2GEJ103	10k	S
	R514	ERJ2RKF1503	150k	S

Safety	Ref. No.	Part No.	Part Name & Description	Remarks
	R515	ERJ2GEJ102	1k	S
	R516	ERJ2GEJ823	82k	S
	R517	ERJ2GEJ332	3.3k	S
	R518	ERJ2GEJ472X	4.7k	S
	R519	ERJ2GEJ472X	4.7k	S
	R520	ERJ2GEJ102	1k	S
	R521	ERJ2GEJ563	56k	S
	R522	ERJ2GEJ103	10k	S
	R523	ERJ2GEJ563	56k	S
	R524	ERJ2GEJ472X	4.7k	S
	R525	ERJ12YJ390	39	
	R526	ERJ2GEJ103	10k	S
	R527	ERJ2GEJ562X	5.6k	S
	R528	PQ4R10XJ332	3.3k	S
	R529	ERJ2GEJ103	10k	S
	R530	ERJ2GEJ102	1k	S
	R531	ERJ2GEJ562X	5.6k	S
	R532	ERJ2GEJ103	10k	S
	R533	ERJ2RKF1001	1k	
	R534	ERJ2GEJ473	47k	S
	R535	ERJ2GEJ473	47k	S
	R536	ERJ8RQFR39	0.39	
	R537	ERJ8RQFR39	0.39	
	R538	ERJ2GEJ102	1k	S
	R539	ERJ2GEJ103	10k	S
	R540	ERJ2GEJ221	220	S
	R541	ERJ2GEJ122	1.2k	S
	R542	ERJ2GEJ122	1.2k	S
	R543	ERJ3GEYJ180	18	S
	R544	ERJ2GEJ122	1.2k	S
	R545	ERJ2GEJ123	12k	S
	R546	ERJ2GEJ122	1.2k	S
	R547	ERJ2GEJ471	470	S
	R548	ERJ3GEYJ1R2	1.2	S
	R549	ERJ3GEYJ330	33	S
	R550	ERJ2GEJ122	1.2k	S
	R551	ERJ2GEJ274	270k	S
	R552	ERJ2GEJ102	1k	S
	R553	ERJ2GEJ820	82	S
	R554	ERJ2GEJ122	1.2k	S
	R555	ERJ2GEJ472X	4.7k	S
	R556	ERJ3GEYJ390	39	S
	R557	ERJ2GEJ274	270k	S
	R558	ERJ2GEJ470	47	S
	R559	ERJ2GEJ101	100	S
	R560	ERJ2GEJ181	180	S
	R561	ERJ2GEJ102	1k	S
	R562	ERJ2GEJ102	1k	S
	R563	ERJ2GEJ101	100	S
	R564	ERJ2RKF1802	18k	
	R565	ERJ2GEJ103	10k	S
	R566	ERJ2GEJ123	12k	S
	R567	ERJ2GEJ103	10k	S
	R568	ERJ12YJ390	39	
	R569	ERJ2GEJ563	56k	S
	R570	ERJ2GEJ562X	5.6k	S
	R571	ERJ2GEJ561	560	S
	R573	ERJ2GEJ103	10k	S
	R574	PQ4R10XJ822	8.2k	S
	R576	ERJ2GEJ472X	4.7k	S
	R577	ERJ2GEJ102	1k	S
	R578	ERJ2GEJ332	3.3k	S
	R579	ERJ2GEJ471	470	S
	R580	ERJ2GEJ562X	5.6k	S
	R581	ERJ2RKF4700	470	
	R582	ERJ2GEJ223	22k	S
	R583	ERJ2GEJ562X	5.6k	S
	R584	ERJ2RKF6201	6.2k	
	R585	ERJ2GEJ562X	5.6k	S
	R587	ERJ2GEJ223	22k	S
	R588	ERJ2GEJ563	56k	S
	R589	ERJ2GEJ562X	5.6k	S
	R594	ERJ2GEJ154	150k	S

Safety	Ref. No.	Part No.	Part Name & Description	Remarks
	R596	ERJ2GEJ472X	4.7k	S
	R800	ERJ2RKF2202	22k	
	R801	ERJ2RKF1001	1k	
	R802	ERJ2RKF1002	10k	
	R803	ERJ2RKF4701	4.7k	
	R804	ERJ2RKF9091	9.09k	
	R805	ERJ2GEJ104	100k	S
	R807	PQ4R18XJ472	4.7k	S
	R808	ERJ2GEJ223	22k	S
	R809	ERJ2GEJ181	180	S
	R812	ERJ2RKF2201X	2.2k	
	R813	ERJ2RKF1001	1k	
	R815	ERJ2RKF1002	10k	
	R817	ERJ2RKF2001	2k	
	R818	ERJ2RKF4701	4.7k	
	R819	PQ4R18XJ471	470	S
	R820	PQ4R18XJ471	470	S
	R821	ERJ2GEJ473	47k	S
	R822	ERJ2GEJ473	47k	S
	R825	PQ4R18XJ102	1k	S
	R826	PQ4R18XJ102	1k	S
	L363	ERJ2GEJ221	220	S
	L365	ERJ2GEJ330	33	S
	L366	ERJ2GEJ330	33	S
	L367	ERJ2GEJ330	33	S
	L368	ERJ2GEJ330	33	S
	L369	ERJ2GEJ221	220	S
	L370	ERJ2GEJ221	220	S
	L371	ERJ2GEJ221	220	S
	R336	ERJ2GE0R00	0	S
	R337	ERJ2GE0R00	0	S
	R390	ERJ2GE0R00	0	S
	R393	ERJ2GE0R00	0	S
	R395	ERJ3GEY0R00	0	S
	R396	ERJ3GEY0R00	0	S
	R397	ERJ3GEY0R00	0	S
	R398	ERJ3GEY0R00	0	S
	L361	ERJ2GE0R00	0	S
			(COMPONENTS PARTS)	
	RA314	EXB28V470JX	RESISTOR ARRAY	
	RA315	EXB28V470JX	RESISTOR ARRAY	
	RA316	EXB28V470JX	RESISTOR ARRAY	
	RA317	EXB28V470JX	RESISTOR ARRAY	
	RA318	EXB28V470JX	RESISTOR ARRAY	
	RA319	EXB28V470JX	RESISTOR ARRAY	
	RA320	EXB28V470JX	RESISTOR ARRAY	
	RA321	EXB28V473JX	RESISTOR ARRAY	
	RA322	EXB28V473JX	RESISTOR ARRAY	
	RA323	EXB28V473JX	RESISTOR ARRAY	
	RA324	EXB28V473JX	RESISTOR ARRAY	
	RA400	EXB28V560JX	RESISTOR ARRAY	
	RA401	EXB28V560JX	RESISTOR ARRAY	
	RA402	EXB28V560JX	RESISTOR ARRAY	
	RA403	EXB28V560JX	RESISTOR ARRAY	
	RA404	EXB28V470JX	RESISTOR ARRAY	
	RA405	EXB28V470JX	RESISTOR ARRAY	
	RA406	EXB28V470JX	RESISTOR ARRAY	
	RA413	EXB28V473JX	RESISTOR ARRAY	
	RA414	EXB28V473JX	RESISTOR ARRAY	
			(CRYSTAL OSCILLATORS)	
	X300	H0J120500055	CRYSTAL OSCILLATOR	
	X302	H0J238500001	CRYSTAL OSCILLATOR	

17.2.3. Operation Board

Safety	Ref. No.	Part No.	Part Name & Description	Remarks
	PCB2	PNLP2204RUZ	OPERATION BOARD ASS'Y (RTL)	
			(IC)	
	IC1	C1ZBZ0004019	IC	
			(TRANSISTOR)	
	Q1	B1ABGE000011	TRANSISTOR (SI)	

Safety	Ref. No.	Part No.	Part Name & Description	Remarks
			(DIODES)	
D1	MA111		DIODE (SI)	S
D2	MA111		DIODE (SI)	S
LED2	B3ABA0000633		DIODE (SI)	
LED3	B3ABA0000633		DIODE (SI)	
			(BUZZER)	
BZ1	L0DACA000024		BUZZER	
			(CAPACITORS)	
C1	ECUV1C104ZFV	0.1		
C2	ECUV1C104ZFV	0.1		
C3	ECUV1C104ZFV	0.1		
C7	ECUV1H101JCV	100p		
C8	ECUV1H102KBV	0.001		
C10	ECUV1C104ZFV	0.1		
C11	ECUV1C104ZFV	0.1		
C12	ECUV1H391JCV	390p		S
C13	ECUV1H101JCV	100p		
C14	ECUV1H101JCV	100p		
C16	ECUV1H100JCV	10p		
C17	ECEA1CK101	100		S
C18	ECUV1C104ZFV	0.1		
C20	ECUV1H272KBV	0.0027		
C21	ECUV1H152KBV	0.0015		
C22	ECUV1H152KBV	0.0015		
C23	ECUV1C224ZFV	0.22		S
			(LIQUID CRYSTAL DISPLAY)	
CN1	L5DAAAY00017		LIQUID CRYSTAL DISPLAY	
			(CONNECTOR)	
CN2	K1KA08B00243		CONNECTOR, 8PIN	
			(RESISTORS)	
R2	ERJ3GEYJ241	240		
R3	ERJ3GEYJ241	240		
R5	ERJ3GEYJ123	12k		
R6	ERJ3GEYJ102	1k		
R7	ERJ3GEYJ102	1k		
R8	ERJ3GEYJ4R7	4.7		
R10	ERJ3GEYJ470	47		
R11	ERJ3GEYJ101	100		
R12	ERJ3GEYJ101	100		
R13	ERJ3GEYJ101	100		
R14	ERJ3GEYJ332	3.3k		
R15	ERJ3GEYJ123	12k		
R16	ERJ3GEYJ151	150		
R17	ERJ3GEYJ472	4.7k		
R18	ERJ3GEYJ102	1k		
R19	ERJ3GEYJ474	470k		
R20	ERJ3GEYJ181	180		
R21	ERJ3GEYJ181	180		
R22	ERJ3GEYJ181	180		
R23	ERJ3GEYJ181	180		
R24	ERJ3GEYJ181	180		
R25	ERJ3GEYJ181	180		
R26	ERJ3GEYJ181	180		
R27	ERJ3GEYJ181	180		
R28	ERJ8GEY0R00	0		
			(SWITCHES)	
SW1	KOH1BA000259		SWITCH	
SW2	KOH1BA000259		SWITCH	
SW3	KOH1BA000259		SWITCH	
SW4	KOH1BA000259		SWITCH	
SW5	KOH1BA000259		SWITCH	
SW6	KOH1BA000259		SWITCH	
SW7	KOH1BA000259		SWITCH	
SW8	KOH1BA000259		SWITCH	
SW10	KOH1BA000259		SWITCH	
SW11	KOH1BA000259		SWITCH	
SW12	KOH1BA000259		SWITCH	
SW13	KOH1BA000259		SWITCH	
SW15	KOH1BA000259		SWITCH	
SW16	KOH1BA000259		SWITCH	
SW17	KOH1BA000259		SWITCH	
SW20	KOH1BA000259		SWITCH	

Safety	Ref. No.	Part No.	Part Name & Description	Remarks
	SW21	KOH1BA000259	SWITCH	
	SW24	KOH1BA000259	SWITCH	
	SW27	KOH1BA000259	SWITCH	
	SW29	KOH1BA000259	SWITCH	
	SW30	KOH1BA000259	SWITCH	
	SW31	KOH1BA000259	SWITCH	
	SW32	KOH1BA000259	SWITCH	
	SW34	KOH1BA000259	SWITCH	
	SW35	KOH1BA000259	SWITCH	
	SW36	KOH1BA000259	SWITCH	
	SW37	KOH1BA000259	SWITCH	
			(THERMISTOR)	
	TH1	D4CCY1030002	THERMISTOR	

17.2.4. Sensor Board Parts

17.2.4.1. Toner Sensor Board

Safety	Ref. No.	Part No.	Part Name & Description	Remarks
	PCB3	PNLP2209RU-A	TONER SENSOR BOARD ASS'Y (RTL)	
			(CAPACITOR)	
	C57	ECUV1C104ZFV	0.1	
			(CONNECTORS)	
	CN64	K1KA10A00412	CONNECTOR, 10PIN	
	CN65	K1KA04A00527	CONNECTOR, 4PIN	
	CN66	K1KA04A00527	CONNECTOR, 4PIN	
	CN67	K1KA05A00364	CONNECTOR, 5PIN	
			(PHOTO ELECTRIC TRANSDUCER)	
	IC51	B4ZZ00000021	PHOTO ELECTRIC TRANSDUCER	

17.2.4.2. Fuser Board

Safety	Ref. No.	Part No.	Part Name & Description	Remarks
	PCB4	PNLP2209RU-B	FUSER BOARD ASS'Y (RTL)	
			(CAPACITOR)	
	C61	ECUV1H102KBV	0.001	
			(CONNECTORS)	
	CN52	K1KA03B00201	CONNECTOR, 3PIN	
	CN53	K1KA04B00225	CONNECTOR, 4PIN	
			(PHOTO ELECTRIC TRANSDUCER)	
	PS50	B3NAA0000106	PHOTO ELECTRIC TRANSDUCER	
			(RESISTOR)	
	R54	ERJ3GEYJ181	180	

17.2.4.3. Pickup Sensor Board

Safety	Ref. No.	Part No.	Part Name & Description	Remarks
	PCB5	PNWP2B2030RU	PICKUP SENSOR BOARD ASS'Y (RTL)	
			(CONNECTORS)	
	CN51	K1KA05B00189	CONNECTOR, 5PIN	
	CN63	K1KA03BA0061	CONNECTOR, 3PIN	
			(SWITCH)	
	SW50	PFSH1A003Z	PUSH SWITCH	

17.2.4.4. Registration Sensor Board

Safety	Ref. No.	Part No.	Part Name & Description	Remarks
	PCB6	PNLP2209RU-D	RESIST SENSOR BOARD ASS'Y (RTL)	
			(CAPACITORS)	
	C50	ECUV1H102KBV	0.001	

Safety	Ref. No.	Part No.	Part Name & Description	Remarks
	C51	ECUV1H102KBV	0.001 (CONNECTOR)	
	CN50	K1KA04B00225	CONNECTOR, 4PIN (PHOTO ELECTRIC TRANS-DUCERS)	
	PS51	B3NAA0000106	PHOTO ELECTRIC TRANS-DUCER	
	PS52	B3NAA0000106	PHOTO ELECTRIC TRANS-DUCER (RESISTORS)	
	R50	ERJ3GEYJ181	180	
	R51	ERJ3GEYJ181	180	

17.2.4.5. Varistor Sensor Board

Safety	Ref. No.	Part No.	Part Name & Description	Remarks
	PCB7	PNLP2209RU-E	VARISTOR SENSOR BOARD ASS'Y (RTL) (VARISTOR)	
	ZNR50	PFRV271NS05K	VARISTOR	

17.2.4.6. Flatbed Relay Board

Safety	Ref. No.	Part No.	Part Name & Description	Remarks
	PCB8	PNLP2209RU-F	FLATBED RELAY BOARD ASS'Y (RTL) (CAPACITORS)	
	C64	ECUV1C104ZFV	0.1	
	C65	ECUV1C104ZFV	0.1 (CONNECTORS)	
	CN59	K1KA13B00063	CONNECTOR, 13PIN	
	CN60	K1KA04B00225	CONNECTOR, 4PIN	
	CN61	K1MN12BA0222	CONNECTOR, 12PIN	
	CN62	K1KA04BA0061	CONNECTOR, 4PIN	
	CN68	K1KA03B00201	CONNECTOR, 3PIN (COIL)	
	L54	PQLQR2KB113T	COIL	S
			(RESISTORS)	
	R55	ERJ3GEYJ472	4.7k	
	R56	ERJ3GEYJ471	470	

17.2.4.7. CIS Home Sensor Board

Safety	Ref. No.	Part No.	Part Name & Description	Remarks
	PCB11	PNLP2209RU-J	CIS HOME SENSOR BOARD ASS'Y (RTL) (CAPACITOR)	
	C60	ECUV1H102KBV	0.001 (CONNECTOR)	
	CN69	K1KA03A00495	CONNECTOR, 3PIN (PHOTO ELECTRIC TRANS-DUCER)	
	PS55	B3NAA0000106	PHOTO ELECTRIC TRANS-DUCER	

17.2.5. High Voltage Power Board

Safety	Ref. No.	Part No.	Part Name & Description	Remarks
⚠	PCB12	N0GG4E000006	HIGH VOLTAGE POWER BOARD ASS'Y (RTL) (IC)	
	IC1	PH1193AC001	IC (TRANSISTORS)	
	Q3	PT2394DL001	TRANSISTOR (SI)	
	Q62	PT2394DL001	TRANSISTOR (SI) (FUSE)	
	F1	PK7130AA001	FUSE (SWITCHE)	

Safety	Ref. No.	Part No.	Part Name & Description	Remarks
⚠	SW1	PFSHSS3FLP3D	PUSH SWITCH	S

17.2.6. Low Voltage Power Board

Safety	Ref. No.	Part No.	Part Name & Description	Remarks
⚠	PCB13	N0AC2GH00001	LOW VOLTAGE POWER BOARD ASS'Y (RTL) (TRANSISTOR)	
⚠	Q1	PT3565KL001	TRANSISTOR (SI) (DIODES)	
⚠	D1	PD1146AC001	DIODE (SI)	
	D104	PD4145AA005	DIODE (SI)	
	D503	PD4068AQ075	DIODE (SI) (CAPACITOR)	
⚠	C5	PC3126YS560	ELECTROLYTIC CAPACITOR, AL (FUSES)	
⚠	F1	PK7102AS001	FUSE	
⚠	F2	PK7102AS004	FUSE	
⚠	F101	PK7154AR003	FUSE (THYRISTOR)	
⚠	SCR51	PD5108AL001	THYRISTOR	

K.T
KXMB1900RUB
KXMB1900RUW